



## Specification

<b>Product Type:</b>	Taps
<b>Main Construction Material:</b>	Brass
<b>Mount Type:</b>	Deck
<b>Handle Type:</b>	Lever Handles
<b>Connection Inlet:</b>	3/4" BSP
<b>Connection Outlet:</b>	N/A
<b>Number of Tap Holes:</b>	2
<b>Valve/Cartridge Type:</b>	1/4 Turn 3/4" Ceramic Disc Valve
<b>Plumbing System Requirements:</b>	Suitable for all plumbing systems
<b>Minimum Dynamic Pressure:</b>	0.2 Bar
<b>Maximum Dynamic Pressure:</b>	7.0 Bar
<b>Maximum Hot Water Temperature: °C</b>	65
<b>Maximum Static Pressure: (bar)</b>	10
<b>Flow Type:</b>	Yes
<b>Isolation Included:</b>	No

## Features:

- Long life and easy to use 1/4 turn ceramic disc valves
- Metal back nuts for added durability
- Easy to use lever handles
- Requires separate outlet or spout

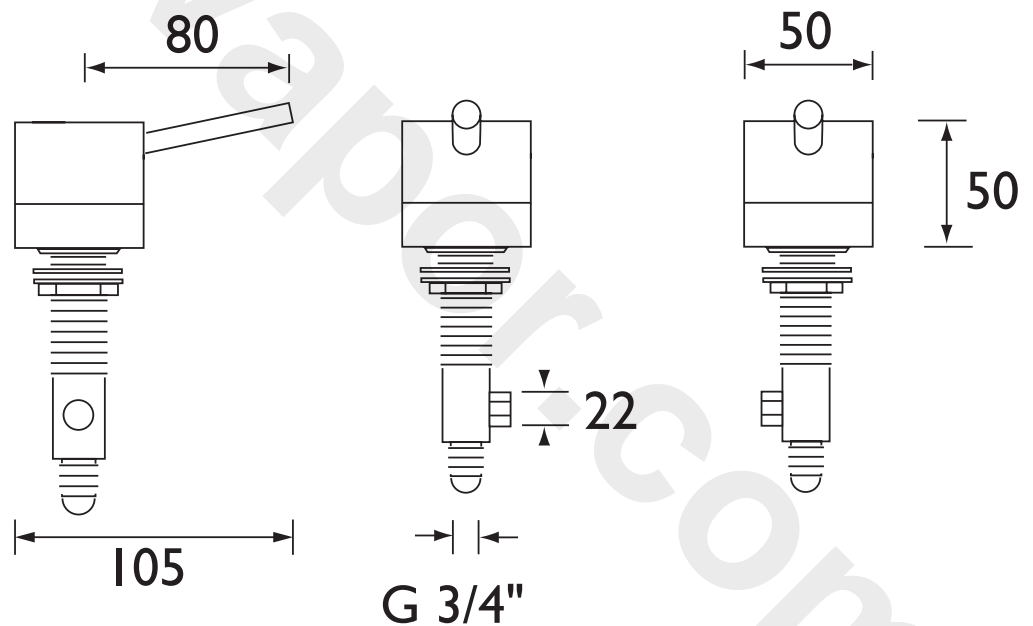
## Product Certifications:



For more products, visit our website:  
<http://www.bristan.com>



## Dimensions (measurements in mm)



## Flow Rates (l/min)

System Pressure (bar)	0.2	0.5	1	2	3	5
PM SB C	16.8	27.2	38.7	55.1	67.5	87.1

# TECHNICAL DATA SHEET



# BRISTAN